


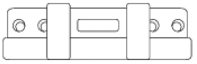



# Paramount Power Recliner

Assembly Instructions

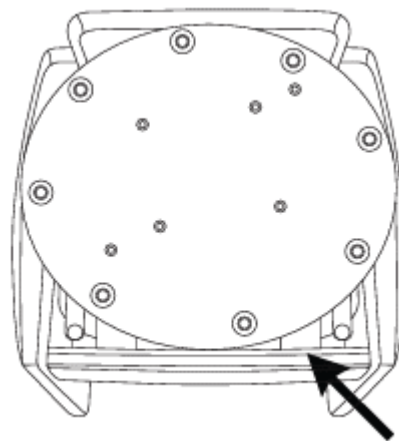
# URBAN BARN

## Power components

 X1 Battery pack	 X1 battery charger	 X1 Power cord	 X2 Plastic bracket	 X2 Nuts and Bolts
--	---	--	---	--

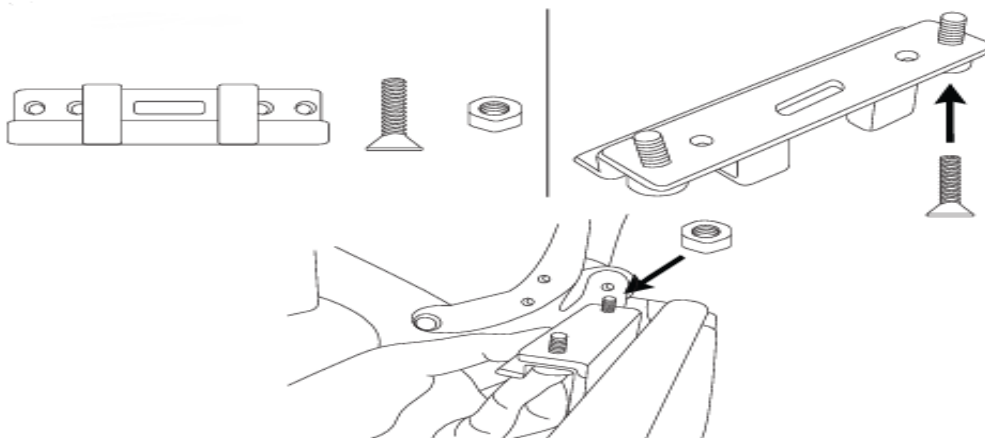
### Step 1

Please protect your floor and recliner by placing a blanket on the floor before turning the chair base upside down to gain access to the mechanism. You will notice a steel support pre-installed on the lower part of the back chair frame.



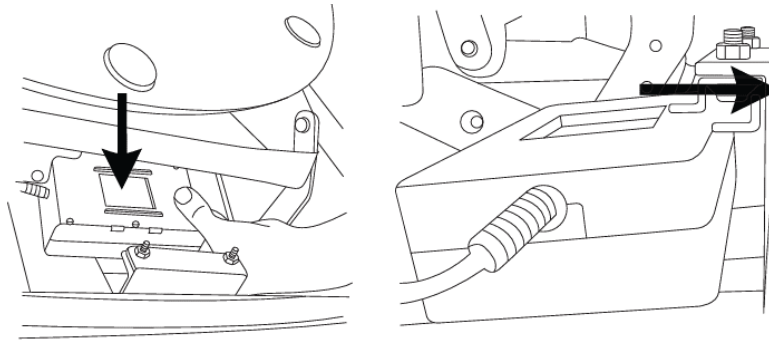
### Step 2

Attach 1 out of the 2 enclosed plastic bracket to the steel support using the 2 supplied nuts & bolts. The 2<sup>nd</sup> plastic bracket is to be used as spare.



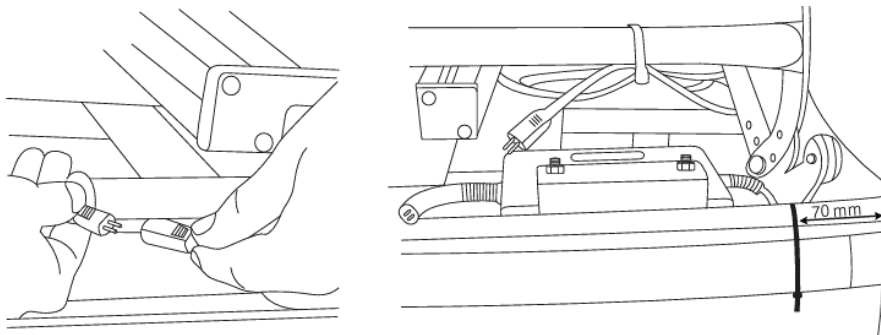
### Step 3

Attach the enclosed Rechargeable Battery Pack using its 'Snap-On' system with the mounted plastic bracket.



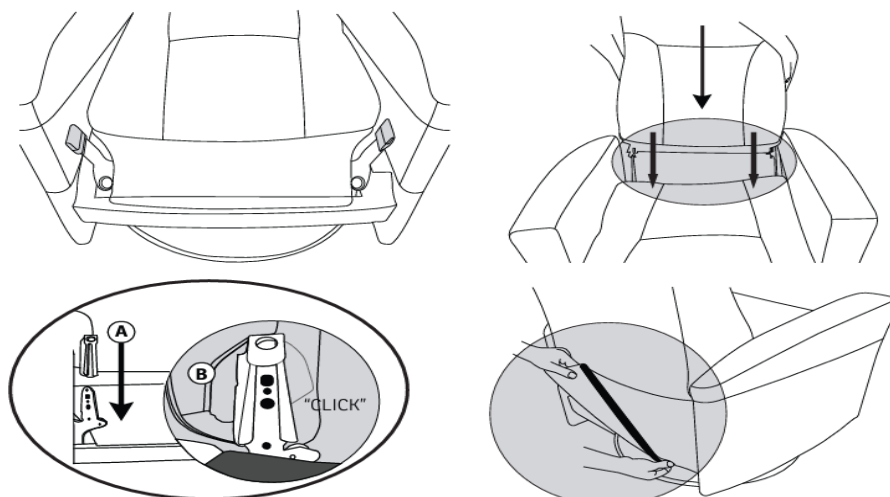
### Step 4

Connect the cable plug of the Rechargeable Battery Pack to the cable plug from the reclining motor. Secure the cable leading to the battery charger by using a cable tie. Please maintain a distance of approx. 7 cm (2.75 inch) from the frame corner.



### Step 5

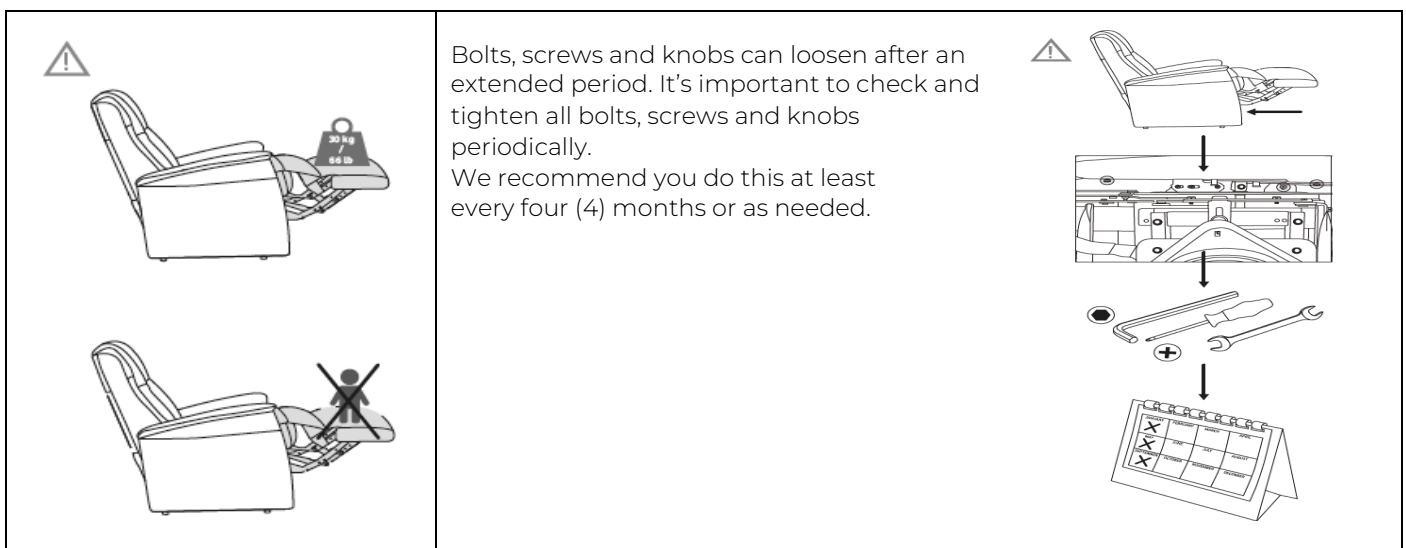
Return the chair to its standing position. Gently attach the back by placing the metal posts into the sleeves located at the rear on both sides of the chair. Once slid into the correct position you will feel and hear a 'click' the lock engages. You can check this lock by lifting the back. Please be careful not to damage the leather or fabric when joining the back and seat. Attach the rear Velcro flap (skirt) again as indicated.



**URBAN BARN**

# Instruction for rechargeable power pack

1. The battery capacity is delivered with about 75% charge, please fully charge before using. The standard charging time is 3-6 hours.
2. This product must be matched with the li-ion charger provided. Only a certified technician should attempt to service the charger and battery.
3. This product has an audible low-voltage warning signal, which will beep continually for 30 seconds when it detects the battery is low.
4. This product has short circuit protection system, which means it will cut power automatically when there is a short circuit. At 30 second intervals the alarming will beep, and the unit will go to self-recovery after short circuit disappears.
5. This product is designed to protect the battery from improper power connections to avoid discharging. Please make sure to match with special charger.
6. The number of cycles on the battery depends on the usage pattern and bodyweight of the user. The average battery source for your recliner should last you around 150 to 250 recline revolutions.
7. When charging the battery, the LED light will turn green once it's fully charged. Disconnect charger when finished charging to prolong the battery and charger life.
8. It is recommended to re-charge the battery again if the unit is left unused for more than 90 days, to help maintain battery life.



**URBAN BARN**